



**consiliarius localis**

a service from Tradução Integral Rio de Janeiro

Go to <http://www.consiliariuslocalis.com>



Enter search keywords

PRODUCTS BRANDS INFO REQUEST QUOTE MY ACCOUNT SHOPPING CART HOME

Test Equipment Blog Home

**Properties of Grounding Distance**

November 23, 2010

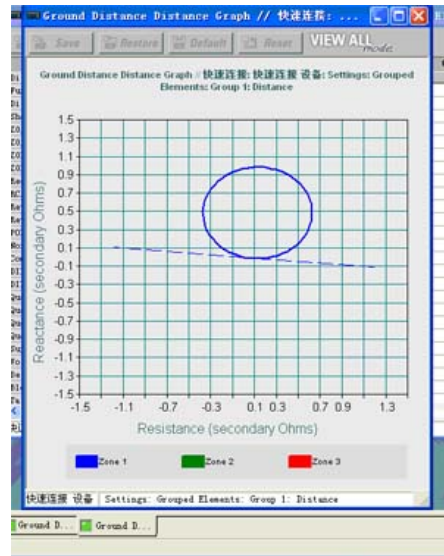
**The Properties of Grounding Distance using the Kingsine Relay Test Set  
Kingsine K10\K20\K30 Series**

**Device: GE L90 Line Differential Relay**



**Fixed Value Menu:**

Parameter	Grounding Distance Z1
Function	Enable
Direction	Forward
Shape	Mho
Z0/Z1 Mag	1.00
Z0/Z1 Ang	0 deg
ZOM Z1 Mag	0.00
ZOM Z1 Mag	0 deg
Reach	1.00 ohm
RCA	75 deg
Rev Reach	1.00 ohm
Rev Reach RCA	75 deg
POL Current	Zero-Seq
DIR RCA	60 deg
DIR Comp Limit	70 deg
Quad Right Blinder	10 ohm
Quad Right Blinder RCA	85 deg
Quad Left Blinder	10 ohm
Quad Left Blinder RCA	85 deg



Grounding Distance Graph (GE Software)

**Testing Connection:**

- A. Connect the output terminals of three-phase voltage and current IA of the relay test set with the corresponding input terminals of the protection device by test wire.
- B. The triggering contact of the protection device is connected with Binary Input terminal A of the relay test set.

C. Open Advanced Distance I module, setting test parameter

**Parameter Setup**

Search line	
Origin	Location
Z (ohm) 0.545	1.194
Phi(deg) 76.611	171.416
R(ohm) 0.126	-1.181
X(ohm) 0.530	0.178

Scan Setting	
From(deg) 0.000	To(deg) 360.000
Step(deg) 20.000	Polygon(ohm) 0.700
Precision(ohm) 0.050	Mode KI
Kl(Re) 0.000	Kl(Im) 0.000

Fault Setting	
Unom(V) 57.740	Load Current(A) 0.000
I fault(A) 3.000	Phase(deg) 0.000

**Basic Parameter**

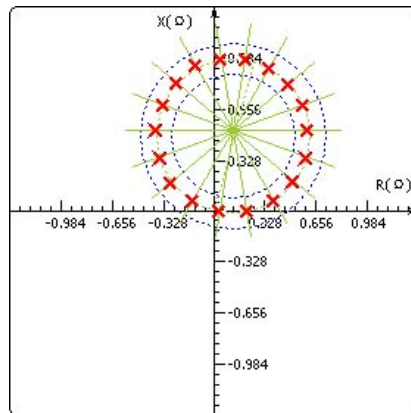
Frequency(Hz)	50.000	Fault type	L1-E
Pre-Fault(s)	0.500	Direction	Forward
Max-fault(s)	0.400	Connection mode	Phase voltage
Min-action(ms)	0.000	De-glitch(ms)	15

Function	Circle	Relative(ohm)	0.100
<input checked="" type="checkbox"/> Z1(ohm)	1.000	Ph1(deg)	75.000
<input checked="" type="checkbox"/> Z2(ohm)	0.000	Ph2(deg)	0.000
<input type="checkbox"/> Z3(ohm)	2.000	Ph3(deg)	36.000
<input type="checkbox"/> Z4(ohm)	1.600	Ph4(deg)	115.000
<input type="checkbox"/> Z5(ohm)	0.700	Ph5(deg)	135.000
<input type="checkbox"/> Z6(ohm)	0.000	Ph6(deg)	270.000
<input type="checkbox"/> Z7(ohm)	0.000	Ph7(deg)	315.000

**Time and Fault Type**

After the setup is finished, click 'Run' button on the right upper corner and begin the test



**Result Graph**

**Kingsine K1063i Protection Relay Test Set**



Posted in [Test & Measurement Tips](#) |

**First Handheld With Ethernet, SONET/SDH, OTN, and Fibre-Channel Testing**

November 19, 2010

**BlueLight Technology Introduces Handheld, Lightweight All-In-One Network Test Solution**

**BlueScope BL6000A is The First Handheld With Ethernet, SONET/SDH, OTN, and Fibre-Channel Testing in a Single Device**



San Jose, Calif. — **Bluelight Technology**, the leading developer and manufacturer of innovative, handheld network test and measurement devices for the telecommunications industry, today announced the availability of the BlueScope BL6000A all-in-one, multiprotocol network test and measurement solution. The BL6000A is the industry's most versatile, lightweight, handheld device that combines Ethernet (1GE and 10GE), SONET/SDH (up to 10G), Optical Transport Network (OTN) (up to ODU-2F), and Fibre Channel (up to 10x) testing in a single ultra-lightweight, handheld platform.

The easy-to-use and compact BL6000A features a productivity-enhancing user interface architecture that includes both an intuitive, touch-screen-enabled graphical user interface (GUI) in addition to an integrated keypad for data entry. The comprehensive array of network types that can be analyzed with the BL6000A eliminates the need for multiple devices, reducing overall costs, saving valuable space, and providing convenience and valuable time savings and flexibility for technicians in the field. Based on open architectures for both software and hardware that enable future expansion, the newest BlueScope is updateable as industry test and measurement needs change.



"We're very excited to offer the test and measurement industry a multiprotocol test instrument that's as technologically advanced and simple-to-use as the BlueScope BL6000A," said James Jeong, Bluelight Technology's CEO and co-founder. "The fact that a field technician now only needs to carry one testing device to ensure network performance saves our clients money and makes their technicians significantly more efficient and productive. This is a must-own for any network operator."

Using the same form factor that has proven popular in previous BlueScope models, the BL6000A includes a host of standard connections to support many different media interfaces such as 10GbE (XFP), optic1000 BASE-SX/LX/ZX, and 100 FX and copper 10/100/1000 BASE-T. Results and analysis are easily accessible via an integrated file management system that enables the saving of data such as test results, log files, screen captures, and packet captures directly to a portable memory device using the USB port. The USB port also provides an ideal mechanism for future software changes and/or upgrades, which can also be performed via an FTP connection.

The powerful BL6000A carries out an impressive array of network performance tests, over any type of network. The truly unique benefit is the addition of testing for SONET/SDH networks, which can be analyzed for frequency offset generation, frequency power measurements, round-trip delay measurements, and more. Users can also select unframed rates to perform physical layer testing for OTN (OTU-2 to OTU-2F), Fibre Channel (1x to 10x), Ethernet (1GE to 10GE), and SONET/SDH (STM-1 to STM-64/OC3 to OC-192). SONET/SDH testing is additionally enhanced by a multichannel view capability, which allows users to view activities on as many as 48 channels simultaneously.

Up to 10 Gigabit Ethernet networks can be tested for throughput on up to 32 independent streams, packet flooding, packet capture and analysis, network discovery, and autonegotiation capture. IP application tests such as Ping, DNS, and DHCP can be run and cables can be checked for faults or irregular impedance. Combine all this with analysis of Fibre Channel networks and the BL6000A can analyze nearly any network architecture or element a telecom, cable, or private network technician may encounter.

"Our goal has always been to be a trendsetter for the test and measurement space," continued Jeong. "This new product represents years of innovation based on listening to what our customers and partners needed and mapping our development plans to those needs." (source [www.bluelightec.com](http://www.bluelightec.com))



#### Key Features and Benefits

- Anytime, anywhere Ethernet/SONET/SDH/OTN/Fiber Channel testing
- Compact, ultra lightweight form factor
- Intuitive Graphical User Interface (GUI) - Reduces training time
- Eliminates the need for multiple test instruments - Reduces cost of ownership
- Open architecture H/W and S/W platforms - Capabilities to Support the Expansion of Your T&M Needs on a Higher Scale
- SONET/SDH - Tx Overhead Byte Sequence Generation Up to 256 bytes - Rx Overhead Byte Capture Up to 256 events K1/K2 bytes are captured together - Multi-Channel Monitoring Concurrent real time monitoring function up to 48 x AU3 and 28 x TU11/12
- 1G/10G Ethernet -32 Multi-stream Traffic Generation & Analysis Layer 1/2/3/4 packets & fully customized packets - Powerful built-in Packet Capture/Decode Dual ports or Single port -Packet Jitter Test in RFC2544 -Real Time Traffic Monitoring -Packet Flooding -Wireless LAN (WiFi) -VoIP / IPTV -100FX optical

#### General Specifications

- Hybrid user interface (UI) with graphical color touch-screen and also keypad at the same time, user-friendly
- Supports multi-physical ports such as 1 10GbE (XFP), fiber 1000 BASE-SX/LX/ZX, 100FX, and copper 10/100/1000 BASE-T on one platform
- Be able to upgrade a new software version via USB or FTP.
- File Manager: Be able to copy testing results, log files, screen capture and packet capture files to USB memory card
- Simplifies the troubleshooting of VoIP and IPTV services at the residential gateway
- Optical power measurement
- Customizable test profiles for quick and efficient test set configuration

Posted in [Manufacturer News](#) |

### World's First Commercial Space Station

November 17, 2010

<http://blog.testequipmentconnection.com/>

## Orbital Technologies and RSC Energia to Launch World's First Commercial Space Station



Private Russian company and lead contractor for the Federal Space Agency of the Russian Federation collaborate to commercialize space.

Moscow – Orbital Technologies and Rocket and Space Corporation Energia (RSC Energia) announced today their intentions to build, launch, and operate the world's first Commercial Space Station (CSS). The station will be utilized by private citizens, professional crews as well as corporate researchers interested in conducting their scientific programs onboard the world's first commercially available human spaceflight platform.



The CEO of Orbital Technologies, Sergey Kostenko said, "I am pleased to announce our intention to provide the global marketplace a commercially available orbital outpost. Once launched and operational, the CSS will provide a unique destination for commercial, state and private spaceflight exploration missions." Mr. Kostenko continued, "The CSS will be a valuable addition to the global base of orbital assets. We look forward to working with corporate entities, state governments and private individuals from around the world."



The CSS will be man-tended, with a crew capability of up to seven people. Space-certified elements, modules and technologies of the highest quality and reliability will be used in the construction of the station. The CSS will be serviced by the Russian Soyuz and Progress spacecraft, as well other transportation systems available in the global marketplace. Such arrangements are enabled through the station's unified docking system that will allow any commercial crew and cargo capability developed in the United States, Europe and China.

### The CSS's use will fall under three broad areas:

First, it will be hub for commercial activity, scientific research and development in low Earth orbit. Orbital Technologies has several customers already under contract from different segments of industry and the scientific community, representing such areas as medical research and protein crystallization, materials processing, and the geographic imaging and remote sensing industry. Kostenko commented, "We also have proposals for the implementation of media projects. And, of course, some parties are interested in short duration stays on the station for enjoyment."

"We consider the Commercial Space Station a very interesting project, encouraging private participation. It will attract private investment for the Russian space industry," said Vitaly Davydov, Deputy Head of Federal Space Agency of the Russian Federation.

Second, because of the design and its orbital inclination, the CSS will serve as an emergency refuge for the ISS crew, should it become necessary.

"There is a possibility for the ISS crew to leave their station for several days. For example, if a required maintenance procedure or a real emergency were to occur, without the return of the ISS crew to Earth, inhabitants could use the CSS as a safe haven," said Alexey Krasnov, Head of Manned Spaceflight Department, Federal Space Agency of the Russian Federation.

"We are pleased to be the general contractor of this ambitious project. For over a decade, RSC Energia's engineers have outlined and planned for the production of the CSS. Having 40 years of experience in building orbiting space platforms, RSC Energia has the technical resources and expertise; and is poised to build the CSS in a short period of time," said V. Lopota, President, RSC Energia.

"Finally, the CSS will be a true gateway to the rest of the solar system. A short stop-over at our station will be the perfect beginning of a manned circumlunar flight. Deep space manned exploration missions planned in the next decade are also welcome to use the CSS as a waypoint and a supply station," continued Mr. Kostenko.

Details about the project are located at [www.orbitaltechnologies.ru](http://www.orbitaltechnologies.ru). Updates will be made regularly. Prospective customers, partners, and suppliers are encouraged to contact Orbital Technologies regarding potential involvement with the Commercial Space Station project. (source [orbitaltechnologies.ru](http://orbitaltechnologies.ru))

Posted in [Russian Technology](#) |

## Megger Demo Blowout Sale

November 12, 2010

# Megger Demo Equipment Blowout Sale

Deep Discounts on Megger Demo Electrical Test and Measurement Equipment\* (90-Day Warranty on all Demo Equipment - Valid for U.S. residents only - While They Last)



### **PFL20M1500-2 - Power Fault Locator 120V**

\$24,500 List Price | \$21,683 Selling Price [Quote Request](#)

### **PFL40A2000-18 - Power Fault Locator**

\$43,405 List Price | \$40,975 Selling Price

PFL 40-2000 w/wheels [Quote Request](#)

### **Delta 2000 - Automatic Insulation Power Factor Test Set 120 VAC, 60 Hz**

\$36,660 List Price | \$34,607 Selling Price [Quote Request](#)

### **Delta 3000 - Automatic Insulation Power Factor Test Set with "PowerDB Onboard" software 120V/60 Hz**

\$41,595 List Price | \$39,266 Selling Price [Quote Request](#)

### **MPRT 8430H4T6A0 - Relay Test Set 4 Voltage/4 Current Channels**

\$59,345 List Price | \$52,521 Selling Price [Quote Request](#)

### **MPRT 8430H3T6A0 - Relay Test Set 3 Voltage/3 Current Channels**

\$48,645 List Price | \$43,051 Selling Price [Quote Request](#)

### **MCT1600 - Current Transformer Saturation, Ratio/Polarity Tester**

\$13,500 List Price | \$12,744 Selling Price [Quote Request](#)

### **PA-9 PLUS - Power Analyser**

\$7,872 List Price | \$7,431 Selling Price

PA-9 Plus with 12 MG of Memory [Quote Request](#)

### **SK-SLM-8-01 - 8 Channel Recording Volt-Ammeter**

\$4,785 List Price | \$4,235 Selling Price [Quote Request](#)

### **TTR25 - Hand-held Transformer Turns Ratio Tester**

\$2,550 List Price | \$2,258 Selling Price [Quote Request](#)

### **TTR100 - Hand-held Transformer Turns Ratio Tester**

\$3,590 List Price | \$3,178 Selling Price [Quote Request](#)

### **S1-552 - 5KV Insulation Tester**

\$4,435 List Price | \$3,926 Selling Price [Quote Request](#)

**S1-1052 - 10KV Insulation Tester**\$5,340 List Price | \$4,726 Selling Price [Quote Request](#)**S1-554 - 5KV Insulation Tester with High Noise Immunity**\$6,030 List Price | \$5,337 Selling Price [Quote Request](#)**METS6100-163 - 3-Phase Watthour Meter Test Set**\$22,750 List Price | \$16,514 Selling Price [Quote Request](#)**OPTIMA - 3-Phase Watthour Meter Test Set**\$24,255 List Price | \$21,467 Selling Price [Quote Request](#)**MDP1 - Megger Data Profiler**\$1,200 List Price | \$1,062 Selling Price [Quote Request](#)**TTR330 - 3-Phase Transformer Ratio Test Set**\$11,900 List Price | \$10,532 Selling Price [Quote Request](#)**TORHEL820 - Battery Load Unit**\$17,350 List Price | \$13,356 Selling Price [Quote Request](#)**TXL870 - Extra Load Unit**\$6,800 List Price | \$6,018 Selling Price [Quote Request](#)**FRAX101 - Sweep Frequency Analyzer**\$16,400 List Price | \$15,482 Selling Price [Quote Request](#)**IDAX300 - Insulation Diagnostic Analyzer**\$30,640 List Price | \$28,924 Selling Price [Quote Request](#)**PULSAR - 3-Phase Relay Test Set with 3 Current & 3 Voltage Modules**\$48,060 List Price | \$29,152 Selling Price [Quote Request](#)**SVERKER 760 - Relay Test Set**\$10,050 List Price | \$8,894 Selling Price [Quote Request](#)**S1-5010-(MN4886) - Insulation Testers**\$8,000 List Price | \$7,080 Selling Price [Quote Request](#)**PMM-1 (MN4022,MN4023 & MN4232) - Power Multi-meter Multifunction Measuring Instrument**\$8,025 List Price | \$7,103 Selling Price [Quote Request](#)**EGIL (MN5607,MN5608 & MN5609) - Circuit Breaker Analyzer**\$16,575 List Price | \$14,670 Selling Price [Quote Request](#)**BITE 2P - Battery Tester with Printer**\$7,410 List Price | \$6,559 Selling Price [Quote Request](#)**BITE 3 - Battery Tester**\$6,188 List Price | \$5,477 Selling Price [Quote Request](#)**BGFT - Battery Ground Fault Tracer, 110/220V, 50/60 Hz**

\$9,280 List Price | \$8,213 Selling Price

**VIDAR - Vacuum Bottle Tester 115V/230V, 50/60Hz. 10-60kV DC Test Voltage**\$7,575 List Price | \$6,705 Selling Price [Quote Request](#)**B10E - B10E SoftStart, power supply unit includes cable set and transport case**\$9,200 List Price | \$8,142 Selling Price [Quote Request](#)**MJOLNER 200 - Microhmeter without accessories**\$8,350 List Price | \$7,390 Selling Price [Quote Request](#)**TM1800 - Circuit Breaker Analyzer System**

\$36,575 List Price | \$32,370 Selling Price

TM1800 Standard unit includes (1) basic unit, (1) control module, (1) timing m/r module and (1) analog module. Includes CABA Win software. [Quote Request](#)**MTDR1 - Cable Analysis System**

\$8,900 List Price | \$7,877 Selling Price

Stand-Alone MTDR Cable Analysis System with colored 8.4 inch full VGA, with QWERTY keypad, with COMLINK Application Software [Quote Request](#)**ODEN AT-3X - Primary Current Injection Test Set**

\$35,425 List Price | \$31,352 Selling Price

ODEN AT/3X 240V, 50/60Hz. Primary current injection test set with timer, ammeter and three current units with additional 30/60V output. Includes two wheel cart.

Cable set are not included and must be ordered separately. See listing of cable sets under optional accessories. [Quote Request](#)**S1-1054 - 10kV Insulation Resistance Tester**

\$7,265 List Price | \$6,430 Selling Price

10kV Insulation Resistance Tester. Analogue/digital, battery or line-powered with auto IR, PI, Step voltage, Dielectric discharge, and Dielectric Absorption tests, 4mA noise rejection; RS232 or USB download and storage capabilities. [Quote Request](#)Posted in [Press Releases](#) |

## Are You Taking Advantage of Section 179?

November 12, 2010

### US Customers - Are You Taking Advantage of Section 179?



### A tax break called "Section 179" that lets small businesses treat qualifying property purchases as expenses and deduct them from their taxable income.

Section 179 of the IRS tax code allows businesses to deduct the full purchase price of qualifying equipment purchased or financed during the tax year. That means that if you buy (or lease) a piece of qualifying equipment, you can deduct the FULL PURCHASE PRICE from your gross income. It's an incentive created by the U.S. Government to encourage businesses to buy equipment and invest in themselves. **"be sure to consult your tax adviser"**

#### Tax Section 179

##### What is the Section 179 Deduction?

Section 179 of the IRS tax code allows businesses to deduct the full purchase price of qualifying equipment purchased or financed during the tax year. That means that if you buy (or lease) a piece of qualifying equipment, you can deduct the FULL PURCHASE PRICE from your gross income. It's an incentive created by the U.S. Government to encourage businesses to buy equipment and invest in themselves.

##### How Does Section 179 Work?

When your business buys certain pieces of equipment, it typically gets to write them off a little at a time through depreciation. In other words, if your company spends \$50,000 on a equipment, it gets to write off at \$10,000 a year for five years.

Now, while it's true that this is better than no write off at all, most business owners would really prefer to write off the entire equipment purchase price for the year they buy it.

In fact, if a business could write off the entire amount, they might add more equipment this year instead of waiting. This is the purpose behind Section 179... to motivate the American economy (and your business) to move in a positive direction. For most small businesses adding total equipment, software etc totaling less than \$500,000 in 2010, the entire cost can be written-off on the 2010 tax return.

##### Who Qualifies for Section 179?

All businesses that purchase or finance less than \$2,000,000 in business equipment during tax year 2010 should qualify for the Section 179 Deduction.

##### Electing the Section 179 Deduction | Form 4562

If you are a small or medium-sized business owner who has purchased or leased equipment in 2010 and placed it into service during the calendar year, then you need to elect to take the Section 179 Deduction to ensure that your business captures the available tax savings.

##### Leasing and Section 179

Did you know that your company can lease equipment and still take full advantage of the Section 179 deduction? In fact, leasing equipment and/or software with the Section 179 deduction in mind is a preferred financial strategy for many businesses, as it can significantly help with not only cash flow, but with profits as well.

##### Non-Tax | Capital Lease

The main benefit of a non-tax capital lease is that you can still take full advantage of the Section 179 Deduction, yet make smaller payments.

With a non-tax capital lease you can acquire and write off up to \$500,000 worth of equipment this year, without actually spending \$500,000 this year. A small business that is managing cash flow can leverage a non-tax capital lease and still take the Section 179 Deduction.

Examples of non-tax capital leases include a '\$1 Buyout Lease' and a '10% Purchase Upon Termination (PUT) Lease'. In many cases, the amount you save in taxes will be MORE than the total of your first year's payments.

##### Equipment Financing

You may also obtain an equipment loan using an Equipment Finance Agreement (EFA) and still take the Section 179 Deduction.

##### Advantages of Leasing and Financing

The obvious advantage to leasing or financing equipment and then taking the Section 179 Deduction is the fact that you can deduct the full amount of the equipment, without paying the full amount this year. The amount you save in taxes can actually exceed the payments, making this a very bottom-line friendly deduction.

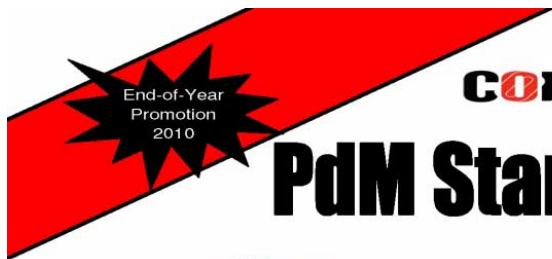
Posted in [Site News](#) |

## Save Thousands with Vibration Analysis Package

<http://blog.testequipmentconnection.com/>

November 11, 2010

Save Thousands with the Commtest Vibration Analysis Package Promotion - Limited Time Only



**commtest**  
The Revolution

# PdM Starter Kit



**The Predictive Maintenance Solution  
You Have Been Looking For...**

Get your Predictive Program up and running with a complete system of exceptional vibration analysis, route based data collectors and award-winning Ascent® software.

**...at an Irresistible Price!**

vb7™ Complete Kit  
vb5™ a la carte  
Level 2 Software Seat  
**Complete PdM Starter Kit  
with a \$6,000 savings:  
\$27,999.00**

Commtest, Inc.  
6700 Baum Drive  
Suite 12  
Knoxville, TN, 37919  
877-582-2946  
www.commtest.com

Promo valid through  
December 31, 2010.



**commtest**  
The Revolution



# Expert Analysis Package

Monitor your essential equipment with our versatile vbOnline® system (equipped with 16 Channels)  
PLUS our top-of-the-line portable vb8™ Vibration Analyzer and the award-winning Ascent® Analysis Software, including two Level 3 seats.

**Expert Analysis Package  
with over \$8700 in savings!  
\$34,999.00**

Promo valid through  
Dec. 31, 2010.

**Quote  
Request**

Posted in [Sale Specials](#) |

## LeCroy LogicStudio Demo Video

November 11, 2010

### LeCroy Demo at the 2010 Embedded Systems Conference



**LeCroy LogicStudio Logic Analyzers** - Logic analyzers are known to be slow, complicated and expensive but Logic Studio changes all this by delivering a powerful feature set, high performance hardware and an intuitive point and click user-interface. With timing cursors, history mode, I2C, SPI and UART decoding, powerful triggering and simple navigation the PC is transformed in to an all-in-one debug machine. Pair the LogicStudio 16 with a WaveJet 300A oscilloscope and debug systems with analog, digital and serial data signals.

#### Unique Feature Set

From basic tools like timing cursors that snap to the edge of a waveform to protocol decoding of I2C, SPI and UART busses LogicStudio provides a rich feature set for faster, smarter debug. History mode will display previously captured data and the powerful, flexible triggering will help solve the most complicated problems.

#### Easy to Use

The intuitive user-interface works with basic mouse operations. To pan the waveforms simply click and drag, Use the mouse wheel to zoom in or scan the waveforms with the magnification toll to get a great view of the details. With all the debug tools accessible from the main screen, debugging is simple, efficient and just 1 mouse click away.

#### Digital, Serial, Analog

Turn the PC into a mixed signal oscilloscope by connecting both a LogicStudio 16 and a WaveJet 300A oscilloscope. View digital, serial and analog waveforms simultaneously, directly on the PC display. This combination of waveforms provides insight that a traditional logic analyzer cannot.

[Request Your Quote HERE](#)

Posted in [Product News](#) |

## RF Calibration Cost Cutter

November 5, 2010

## Cut the cost of RF calibration in half

The **Fluke 9640A** Series is the key component in an RF and microwave calibration system. It enables you to accurately calibrate a broad RF measurement workload at half the cost of a typical high performance calibration system.



Unlike general purpose signal generators, the 9640A Series dramatically improves efficiency and capacity by reducing complexity, de-skilling, and speeding up calibration times. Automating calibration using MET/CAL Plus software to take control of the unit or device under test and all system instruments will increase system capacity by up to 25% and free 50% of the system operator's time to perform other tasks.

### What's New?

- 9640A-LPNX model with reduced close-in phase noise and specifications down to 1 Hz offsets
- Enhanced leveled sine level and attenuation accuracy
- Optional integrated 50 MHz frequency counter
- Unique 10 uHz enhanced leveled sine frequency setting resolution at all frequencies
- Leveled sine minimum output frequency of 1 mHz
- External phase modulation
- Narrow range-locked sweep
- New accessory: 9600FLT 1 GHz wide offset phase noise filter

Find out how the **Fluke 9640A** Series can be the key component in your RF and microwave calibration system:

[Get product details and request a quote](#)

Posted in [Fluke](#) |

### DTV Network Monitoring Solutions

November 3, 2010

#### Triveni Digital StreamScope Targeted for DTV Network Monitoring

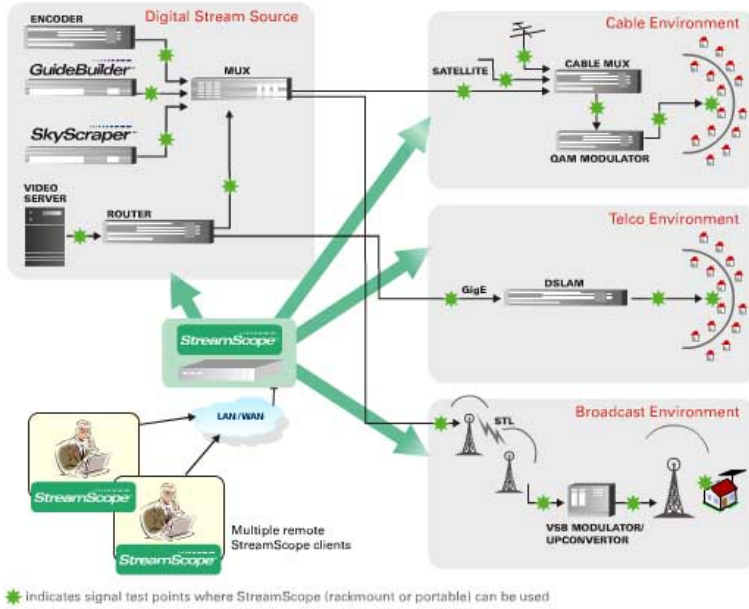
##### Ensuring the Integrity of DTV Streams

The 4th generation StreamScope product line targeted for DTV networks enables efficient stream quality monitoring, analysis and troubleshooting on an enterprise-wide scale. Indispensable in the station or any network location, rack-mountable and portable models are available with ASI, VSB, SMPTE 310, QAM, 8VSB, QPSK and Gigabit Ethernet input support. The new StreamScope products work together to enable cost-effective deployment across a broadcast operation, whether on a local, regional, or national scale, and the systems have open interfaces to enable easy integration with third party products. The use of standard formats for capturing of recorded streams helps achieve this high-level of third party integration support. Innovative elements of the new StreamScope architecture include a rule-based monitoring system and associated rule creation tools, the Business Intent Assurance feature and stream transformation monitoring.



The StreamScope RM-40 is a low cost stream monitoring appliance. The real-time RM-40 remotely monitors, measures, records, and analyzes DTV streams to ensure their integrity, reliability, and compliance with standards. The RM-40 can be monitored from any SNMP agent in the network and alarms can be distributed via email, SMS, or SNMP traps. In addition, interfaces to GuideBuilder metadata management systems and the Business Intent Assurance feature validate that the streams are well formed from a standards perspective, and automatically ensure that the streams comply with the business model of the operation. Other RM-40 innovations include stream profiling and comparison and template learning. The small form factor unit is virtually maintenance free and may be placed anywhere in the broadcast network including repeater stations where there may be no on-site staff.

The [StreamScope MT-40](#) provides end-to-end, MPEG-2/MPEG-4 transport stream monitoring and analysis for DTV signals carried by broadcast, cable, satellite, IPTV, or mobile networks. Key features include QPSK, 64/256 QAM, ASI and GigE, plus file inputs, remote monitoring capabilities, and IP routes analysis.



**Check out the awesome new Triveni Digital STSC-MT-40-LCP-B. StreamScope MT-40LCP Low Cost Portable with battery**

The StreamScope MT-40 provides end-to-end, MPEG-2/MPEG-4 transport stream monitoring and analysis for DTV signals carried by broadcast, cable, satellite, IPTV, or mobile networks. Key features include QPSK, 64/256 QAM, ASI and GigE, plus file inputs, remote monitoring capabilities, and IP routes analysis. Maximum of 2 inputs. [More Info HERE](#)

**Special MT-40 Bundle Promotion for Non-USA Users [HERE](#)**

**This cost saving package includes:**

- STSC-MT-40-LCP-B - StreamScope MT-40LCP Low Cost Portable with battery
- STSC-OPT-ASI - ASI Single Input Module
- STSC-OPT-AOUT - ASI Payout Software 38.8 Mbps, File Loop
- STSC-OPT-GLCP - Non Real Time Analysis - without PCR Analysis. Licensed option, available for StreamScope Low Cost LCP

**Who is Triveni Digital?**

Triveni is a Sanskrit word meaning convergence. It represents their commitment to the convergence of data with digital broadcasting. It also symbolizes the Triveni Digital suite of products, each independently powerful, yet synergistic with one another. Coming from a heritage of innovation, Triveni Digital (formerly the LG Electronics Research Center of America) continues to be backed by LG Electronics-a major player in the consumer electronics industry. Their strong set of partners, and standards-based open systems approach has enabled them to provide flexible, scalable and robust best-of-breed solutions to customers.

**Optimizing Management of Digital Broadcasts**

Triveni Digital's innovative products are already helping to operate DTV facilities across the country, Triveni engineers and designers are the professionals setting the standards for the whole DTV industry.

**Getting Your Signal Where it Needs to Go**

The Triveni product suite is designed to make sure that your DTV signals are carried and received correctly. From GuideBuilder's market-share-leading PSIP technology to StreamBridge's accurate data translation to StreamScope's powerful analytical capabilities, we deliver-flawlessly.

**Creating Sustainable Value for Digital Broadcast**

Unique, field-tested products and services let you start taking advantage of new revenue opportunities and new business models. Data broadcasting, digital billboards, homeland security, interactive TV, etc.

Posted in [DTV](#) |

**[New AEMC Ground Resistance Tester](#)**

October 28, 2010

**[AEMC introduces the New Ground Resistance Tester Model 6471](#)**



The Ground Resistance Tester Model 6471 is a portable measurement instrument designed to measure Ground Resistance using 2 current clamps (no auxiliary rods). Other test methods provided are: Ground Resistance (3-Pole or 4-Pole), Ground Coupling, Bond Resistance, Selective Ground Resistance and Soil Resistivity (Wenner or Schlumberger method). The Model 6471 measures from 0.01 to 99.99kΩ and is auto-ranging, automatically seeking out the optimum measurement range and test current. Easy-to-use - Simply connect the leads, select the test mode, press Start and read the results. Up to 512 test results can be stored in internal memory for later recall to the display or download to a PC via DataView software. The Model 6471 is Cat. IV rated to 50V and is over voltage protected to more than 250VAC against accidental connection to live circuits. The voltage is also displayed on screen. Additional features of the 6471 include a heavy-duty field case sealed against dust and water when closed (the test button is also sealed against the elements); manual and automatic test frequency selection from 41 to 513Hz; user selectable 3-Pole Fall-of-Potential or 4-Pole Soil Resistivity test methods and user selectable 2-Pole or 4-Pole Bond Resistance test method. The Model 6471 is rugged, easy-to-use and ideal for maintenance crews performing numerous tests. It exceeds mechanical and safety specifications for shock, vibration and drop tests per IEC standards. The adjustable test frequency provides for rejection of high levels of interference, allowing it to be used under difficult conditions such as high stray currents that normally affect accuracy.

**Applications:**

- 3-Point measurements of resistance to ground on ground rods and grids
- 4-Point tests of soil resistivity measurements
- Touch and Step potential testing measurements
- 2- or 4-Wire tests for continuity tests on bonding or on grounding systems
- Earth Coupling measurement and display

**The AEMC Model 6471 is Available in Complete Kit Form:**



AEMC 6471 Kit - 300 ft Multi-Function Ground Resistance Tester - includes meter, set of two SR182 current probes, rechargeable NiMH batteries, optical USB cable, power adapter 110/240V with power cord 115V US, two 300 ft color-coded leads on spools (red/blue), two 100 ft color-coded leads (hand-tied, green/black), four T-shaped auxiliary ground electrodes, set of five spaded lugs, one 100 ft AEMC tape measure, DataView software, ground tester workbook CD, carrying bag for meter and carrying bag for kit. [View and Purchase this convenient Kit HERE](#)



AEMC Instruments manufactures professional electrical test and measurement instruments for the industrial, commercial and utility marketplace. Founded in 1893, their products are backed by over 100 years of experience in test and measurement equipment, and encompass the latest international standards for quality and safety. AEMC is the industry leader in current measurement probes, ground resistance testers and insulation resistance testers. Their full product line also includes clamp-on meters, ratiometers, power meters, harmonic power meters, data loggers, lightmeters and numerous other electrical test tools.

Posted in [Manufacturer News](#) |

[Previous Entries](#)

•

•



Go to <http://www.consiliariuslocalis.com>